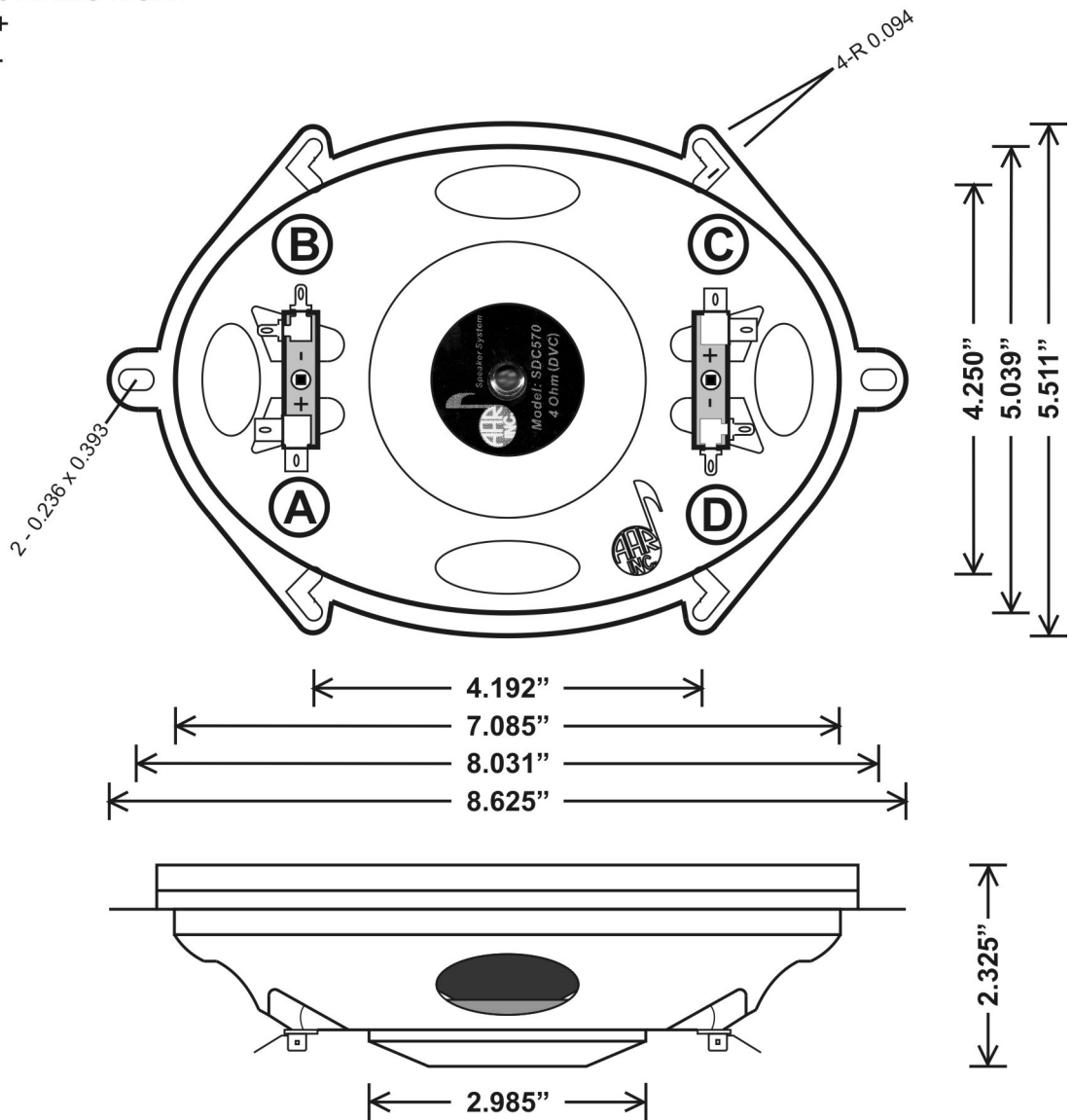


SDC570 DUAL VOICE COIL SPEAKER

MOUNTING DIMENSIONS AND WIRING OPTIONS

STANDARD 2 CHANNEL
STEREO CONNECTION:

- A = RIGHT +
- B = RIGHT -
- C = LEFT +
- D = LEFT -



TO REPLACE A SINGLE ORIGINAL
8 OR 10 OHM (MONO) SPEAKER:

- A = SPEAKER OUT +
- B CONNECTS TO C
- D = SPEAKER OUT - OR GROUND IF SINGLE WIRE SPEAKER.

ANTIQUÉ AUTOMOBILE RADIO, Inc.
700 Tampa Road, Palm Harbor FL 34683 USA
www.RadiosForOldCars.com

© February 2016 All rights reserved V1.0

