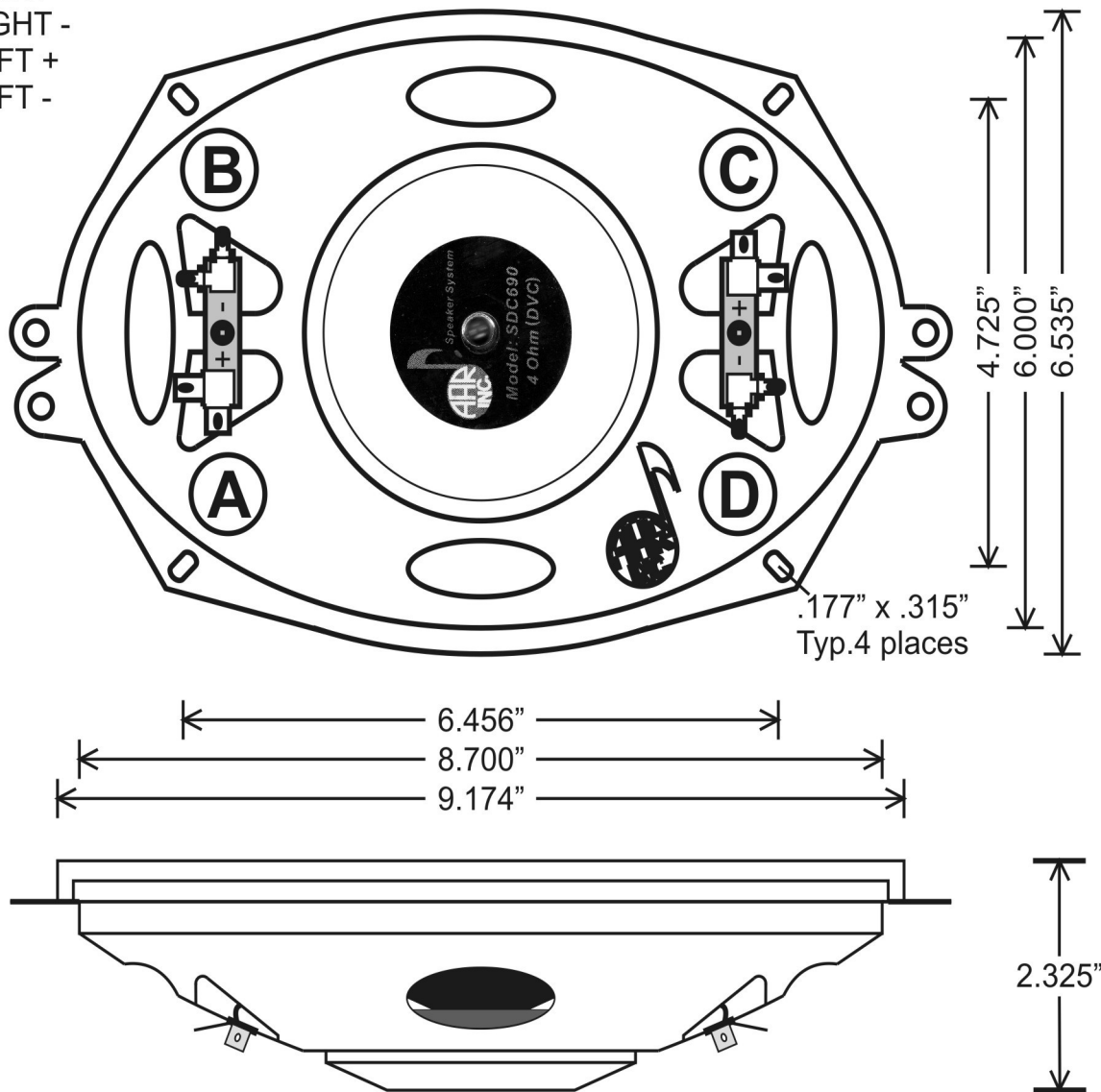


# SDC690 DUAL VOICE COIL SPEAKER

## MOUNTING DIMENSIONS AND WIRING OPTIONS

STANDARD 2 CHANNEL  
STEREO CONNECTION:

- A = RIGHT +
- B = RIGHT -
- C = LEFT +
- D = LEFT -



TO REPLACE A SINGLE ORIGINAL  
8 OR 10 OHM (MONO) SPEAKER:

- A = SPEAKER OUT +
- B CONNECTS TO C
- D = SPEAKER OUT - OR GROUND IF SINGLE WIRE SPEAKER.

**ANTIQUÉ AUTOMOBILE RADIO, Inc.**  
**700 Tampa Road, Palm Harbor FL 34683 USA**  
[www.RadiosForOldCars.com](http://www.RadiosForOldCars.com)

